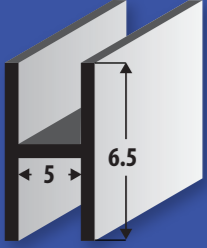

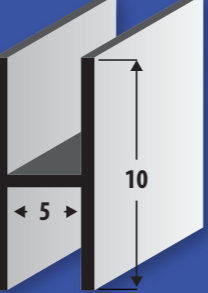
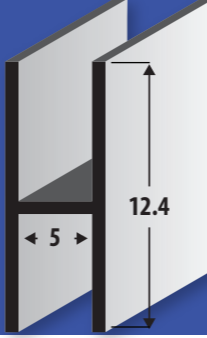
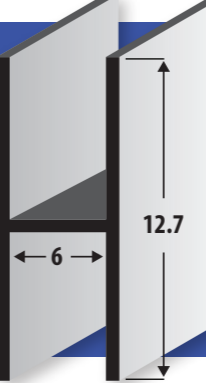
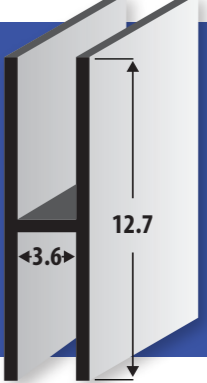
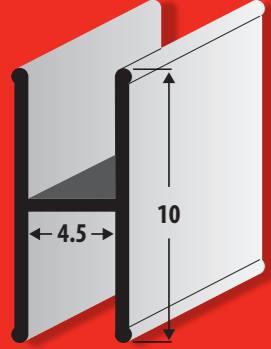
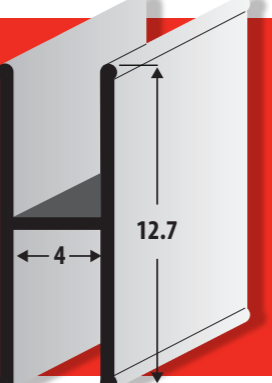


Flat Profiles

PROFILE CHART

 <p>CA 6.5 FP Face width: 6.5 mm Channel Height: 5 mm Heart Thickness: 1 mm</p>	 <p>CA 9 FP Face width: 9 mm Channel Height: 4 mm Heart Thickness: 1 mm</p>	 <p>CA 10 FP Face width: 10 mm Channel Height: 5 mm Heart Thickness: 1.1 mm</p>	 <p>CA 12.4 FP Face width: 12.4 mm Channel Height: 5 mm Heart Thickness: 1 mm</p>	 <p>CA 12.7 FP Face width: 12.7 mm Channel Height: 6 mm Heart Thickness: 1 mm</p>	 <p>CA 12.7 FP3.6 Face width: 12.7 mm Channel Height: 3.6 mm Heart Thickness: 1.2 mm</p>
-------------------------------------------------------------------------------------------------------------------------------------------------------------------------------------	---------------------------------------------------------------------------------------------------------------------------------------------------------------------------------	---------------------------------------------------------------------------------------------------------------------------------------------------------------------------------------	-----------------------------------------------------------------------------------------------------------------------------------------------------------------------------------------	-----------------------------------------------------------------------------------------------------------------------------------------------------------------------------------------	------------------------------------------------------------------------------------------------------------------------------------------------------------------------------------------------

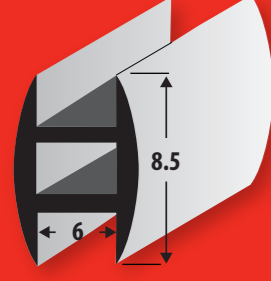
Flat Beaded Profiles

 <p>CA 10 FRP Face width: 10 mm Channel Height: 4.5 mm Heart Thickness: 1 mm</p>	 <p>CA 12 FRP Face width: 12.7 mm Channel Height: 4 mm Heart Thickness: 1 mm</p>
--------------------------------------------------------------------------------------------------------------------------------------------------------------------------------------	--------------------------------------------------------------------------------------------------------------------------------------------------------------------------------------

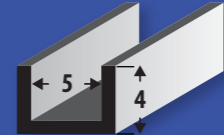
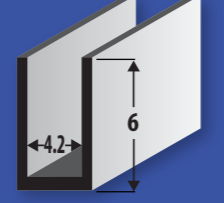
Round Profiles

 <p>CA 3.2 RP Face width: 3.2 mm Channel Height: 5 mm Heart Thickness: 0.9 mm</p>	 <p>CA 4.2 RP Face width: 4.2 mm Channel Height: 4.8 mm Heart Thickness: 0.9 mm</p>	 <p>CA 4.5 RP Face width: 4.5 mm Channel Height: 4.3 mm Heart Thickness: 0.9 mm</p>
 <p>CA 4.4 RP Face width: 4.4 mm Channel Height: SPECIAL Heart Thickness: 1 mm</p>	 <p>CA 5 RP Face width: 5 mm Channel Height: 4.5 mm Heart Thickness: 0.8 mm</p>	 <p>CA 5.2 RP Face width: 5.2 mm Channel Height: 4.5 mm Heart Thickness: 1.2 mm</p>
 <p>CA 5.5 RP Face width: 5.5 mm Channel Height: 4.5 mm Heart Thickness: 1 mm</p>	 <p>CA 5.5 RP 5.3 Face width: 5.3 mm Channel Height: 5.5 mm Heart Thickness: 0.9 mm</p>	 <p>CA 5.9 RP Face width: 5.9 mm Channel Height: 5 mm Heart Thickness: 0.9 mm</p>
 <p>CA 6.4 RP Face width: 4.3 mm Channel Height: 4.3 mm Heart Thickness: 0.8 mm</p>	 <p>CA 6.5 RP Face width: 6.5 mm Channel Height: 5 mm Heart Thickness: 1 mm</p>	 <p>CA 7 RP Face width: 7 mm Channel Height: 4.6 mm Heart Thickness: 0.8 mm</p>
 <p>CA 7.7 RP Face width: 7.7 mm Channel Height: 4.7 mm Heart Thickness: 0.8 mm</p>	 <p>CA 8.7 RP Face width: 8 mm Channel Height: 6 mm Heart Thickness: 1 mm</p>	 <p>CA 9.5 RP Face width: 9.5 mm Channel Height: 5 mm Heart Thickness: 1 mm</p>
 <p>CA 15 RP Face width: 15 mm Channel Height: 5 mm Heart Thickness: 1 mm</p>	 <p>CA 16 RP Face width: 16 mm Channel Height: 7 mm Heart Thickness: 1 mm</p>	

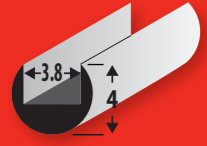
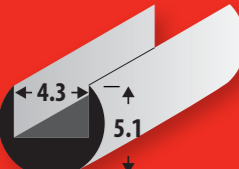
Round Hollow Profile (For reinforcing)

 <p>CA 8.5 RRP Face width: 8.5 mm Channel Height: 6 mm Heart Thickness: 1 mm</p>

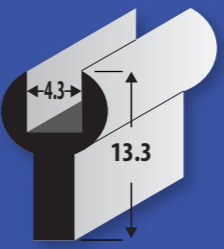
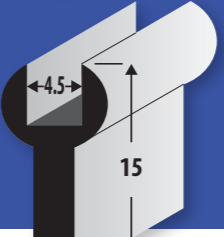
U Square Shaped Profiles

 <p>CA 4 USSP Face width: 4 mm Channel Height: 5 mm Heart Thickness: 2.3 mm</p>	 <p>CA 6 USSP Face width: 6 mm Channel Height: 4.2 mm Heart Thickness: 1 mm</p>
---------------------------------------------------------------------------------------------------------------------------------------------------------------------------------------	---------------------------------------------------------------------------------------------------------------------------------------------------------------------------------------

U Round Shaped Profiles

 <p>CA 4 URSP Face width: 4 mm Channel Height: 3.8 mm Heart Thickness: 0.8 mm</p>	 <p>CA 5.1 URSP Face width: 5.1 mm Channel Height: 4.3 mm Heart Thickness: 1.3 mm</p>
-----------------------------------------------------------------------------------------------------------------------------------------------------------------------------------------	---------------------------------------------------------------------------------------------------------------------------------------------------------------------------------------------

Y Shaped Profiles

 <p>CA 13.3 YP Face width: 13.3 mm Channel Height: 4.3 mm Heart Thickness: 9 mm</p>	 <p>CA 15 YP Face width: 15 mm Channel Height: 4.5 mm</p>
-------------------------------------------------------------------------------------------------------------------------------------------------------------------------------------------	-------------------------------------------------------------------------------------------------------------------------------------------------------------

